

Small Aerator R (Item no. 130010)

Technical data and connections, brief overview

Can be used with Testomat 2000[®], Testomat ECO[®], Testomat[®] EVO TH, Testomat[®] 808

These operating instructions apply to both the installation and the operation of the Small Aerator R.

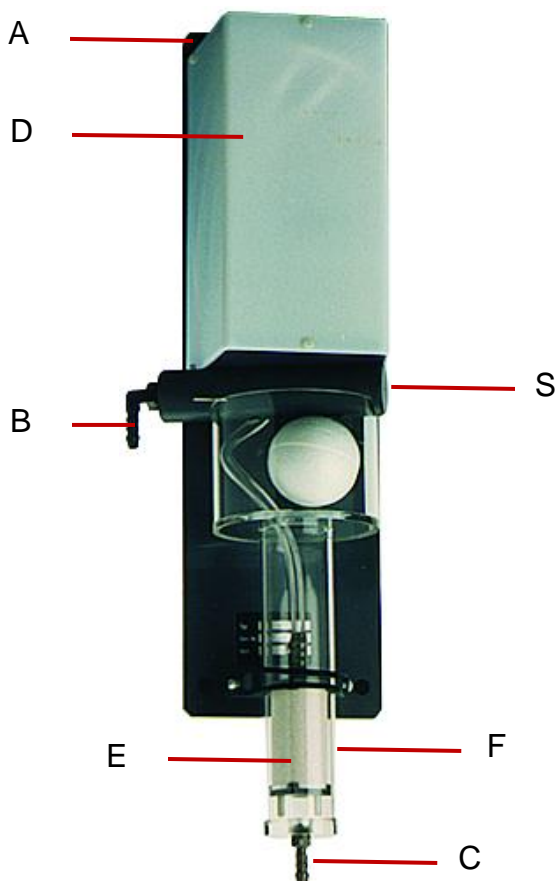
Handling instructions

The aerator may only be used for its intended purpose.

Appropriate use

The Small Aerator R reduces CO₂ content in test water in a Testomat device, as false readings cannot be ruled out if test water contains more than 20 mg/l CO₂ (carbon dioxide). To do this, the small aerator is slotted in ahead of the Testomat device.

Installation and mode of operation



- Affix the Testomat small aerator vertically on the wall or system. Use the two mounting holes marked A.
- Using a plastic squeeze connector or hose clamp, connect one hose each to water inlet B and water inlet C. The hose must be designed as a pressure hose (fabric insert) and have a clear width of 5 mm.
- The small aerator works automatically once the power is switched on at the three-pin plug.

The water containing carbon dioxide is directed to the aerator through water intake B. The water intake is regulated by the float device S. The membrane aerator in housing D allows air to pass through Plexiglas cylinder F via a plastic pipe into filter cartridge E. From filter cartridge E, the air escapes in all directions and passes through the flow of water, thus driving out the carbon dioxide. The carbon dioxide escapes through the open top of cylinder F.

A water intake nozzle (14) in float device S can be unscrewed for cleaning following removal of the screwed socket (13). Cleaning of filter cartridge E is done with 10% hydrochloric acid.

Pay attention to installation height!

The connection at water intake B of the small aerator can withstand a maximum of six bar. The water outlet from the small aerator is unpressurised. Therefore, the small aerator must be slotted in ahead of the Testomat device at least 3 m (0.3 bar) above the Testomat device.

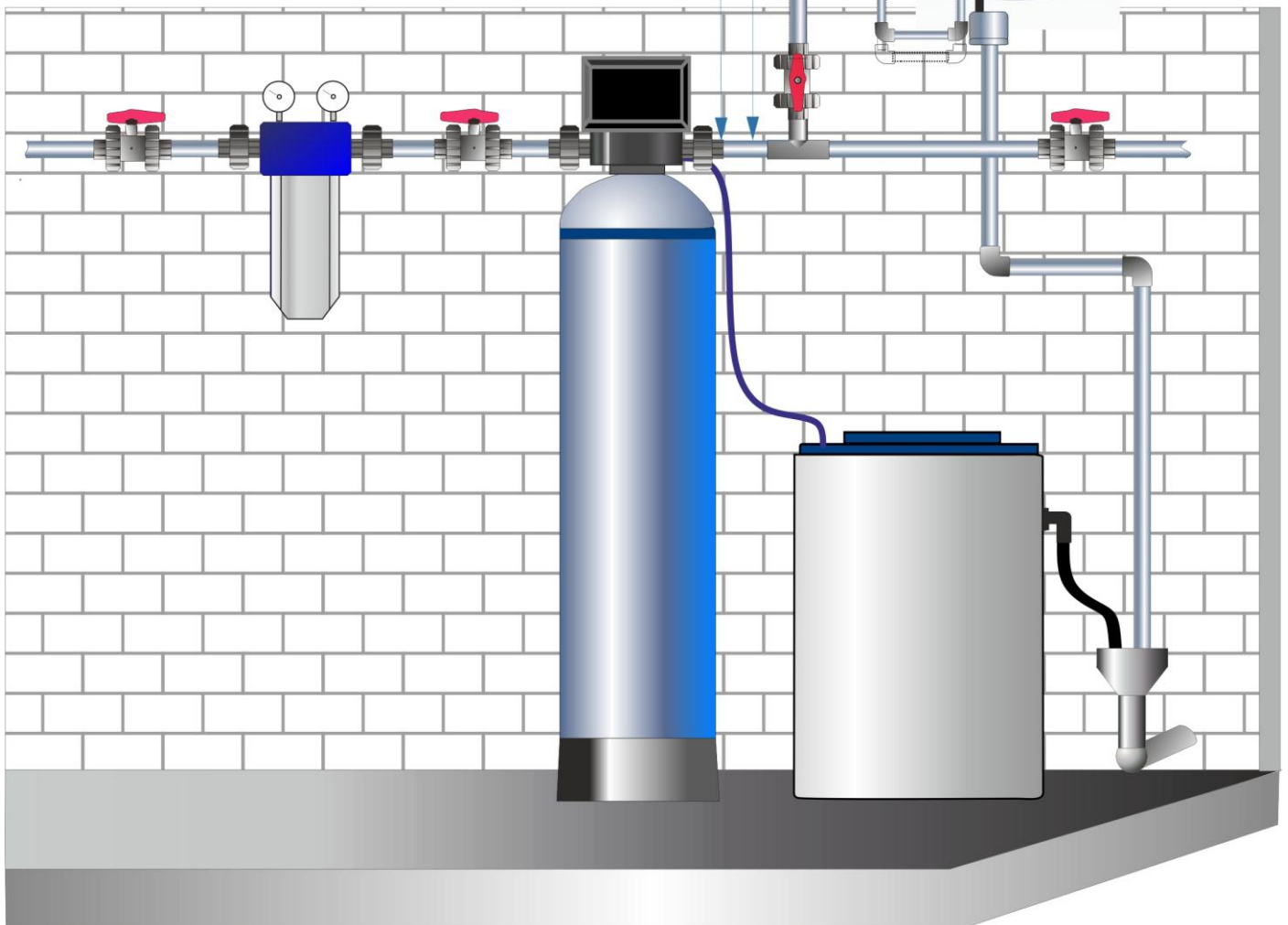
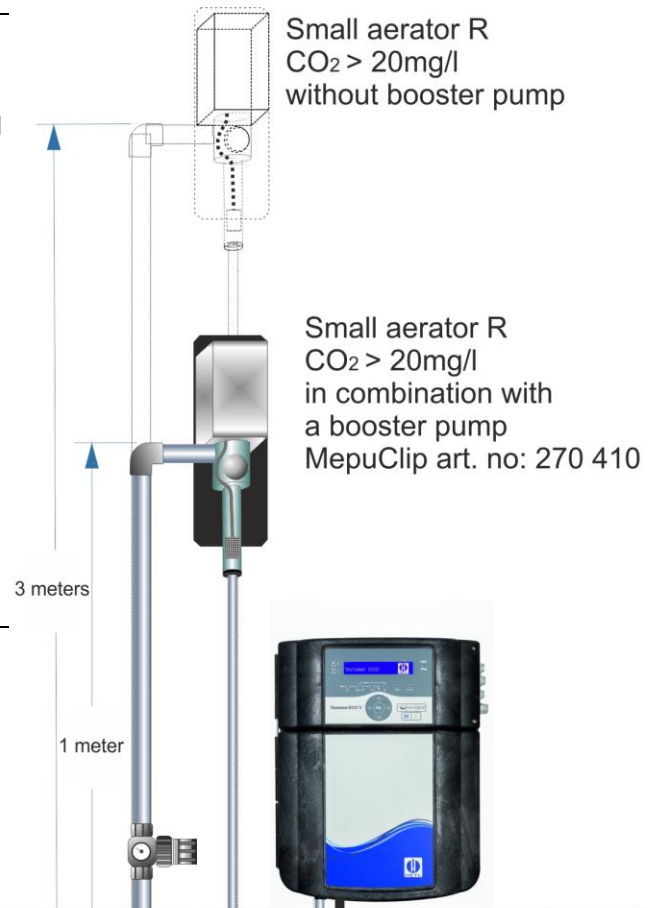
During operation within a pressure range from 0.3 to 1 bar, or when supplied via a booster pump, please remove the valve body from the controller and filter housing of the Testomat device (see operating instructions for the Testomat device).

For installation heights lower than 3 m, use our booster pump MepuClip (Item no. 270410) in the Testomat 2000® or Testomat® EVO TH.

Testomat ECO® and Testomat® 808 cannot be fitted with the MepuClip booster pump.

Small aerator R
CO₂ > 20mg/l
without booster pump

Small aerator R
CO₂ > 20mg/l
in combination with
a booster pump
MepuClip art. no: 270 410



Maintenance

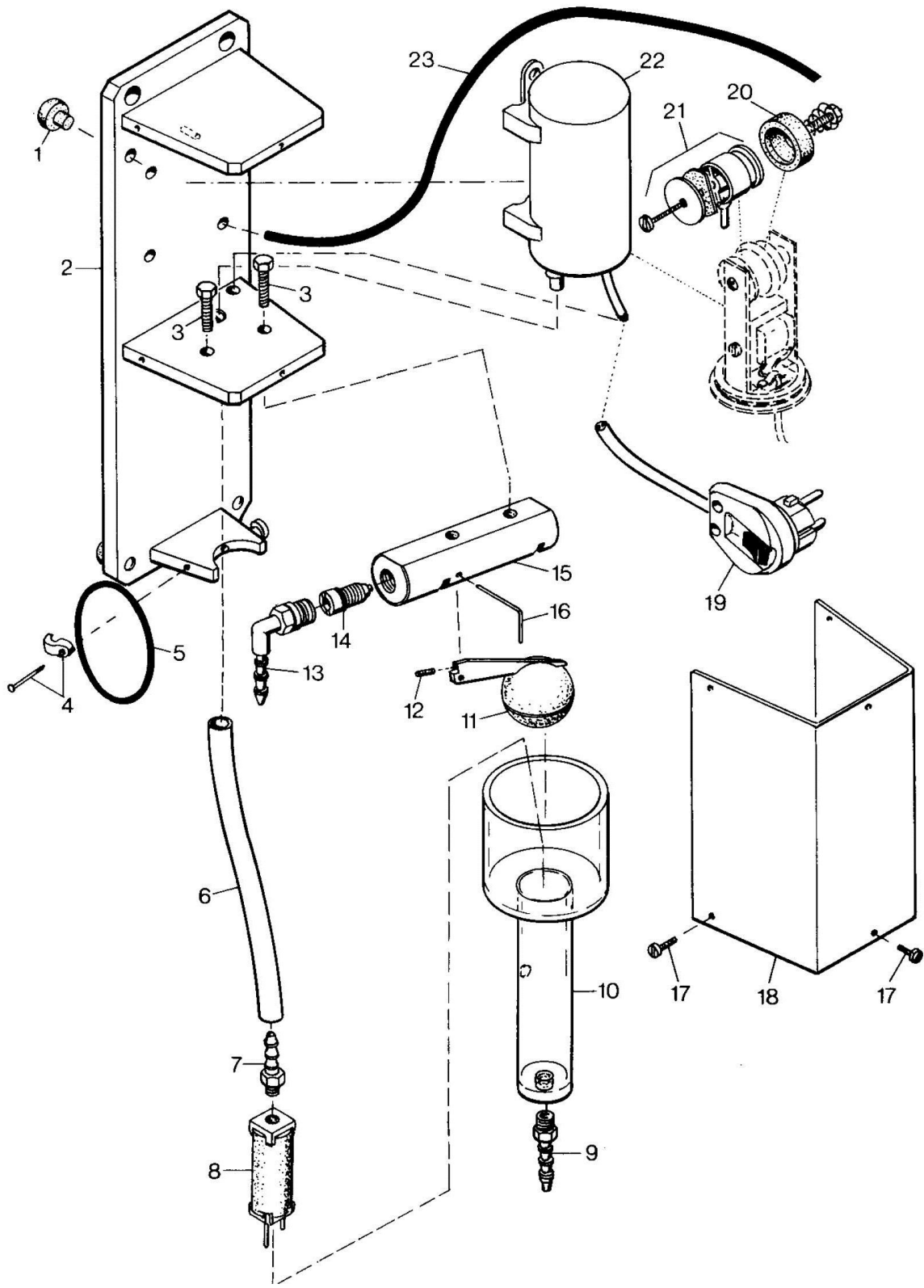
When dirty, cleaning should be undertaken on the water intake nozzle (14) and the filter cartridge (E).

Technical data

Design:	Plastic, corrosion-proof
Dimensions:	Mounting plate 110 x 400 mm
Overall length:	500 mm
Depth:	105 mm
Membrane aerator:	220V/50 Hz Power supply via cable with plug and built-in switch
Water intake regulation:	via float valve
Capacity:	max. 12 l/h of water flow reducing available carbon dioxide from max. 200 mg/l to under 20 mg/l
Power consumption:	approx. 8 VA
Weight:	approx. 2 kg

Rieseler replacement parts list

Pos	Item description	Item no.
01	Rubber foot, black 13 x 11mm	33575
02	Baseplate/Rieseler	34402
03	Hex bolt M 6 x 16	33182
04	Nagel Clips 4 mm grey (replaced)	33750
05	O-Ring 70 x 3 (replaced)	33790
06	Silicon hose 250 mm	34918
07/09	Hose connection GES 6mm / M 10 x 1	11221
08	Filter cartridge, complete	36225
10	Degassing chamber	34280
11	Float lever, complete	36228
12	Valve seal 7 x 4 d	34974
13	Hose connection 1/4" / 6 d	33869
14	Nozzle 10 x 20mm	34225
15	Controller body	34842
15a	Controller body, complete, Pos 11-16	36206
16	Locking pin 31 x 17 x 2 d	34917
17	Flat-head screw M 3 x 6, Poly.	33680
18	Cover cap, white	34019
19	Three-pin plug with switch (only with 230 V device)	31768
20	Membrane for pump	34645
21	Pump head S, complete	34778
22	Membrane pump 230V complete with power Membrane pump 24V complete without power	33718 33719
23	Foam rubber tensioning strap 600 x 5	34644



We reserve the right to make constructive alterations in the interests of constant improvement!



Gebrüder Heyl Analysetechnik GmbH & Co. KG
 Orleansstrasse 75b
 31135 Hildesheim, Germany
 www.heyhl.de